

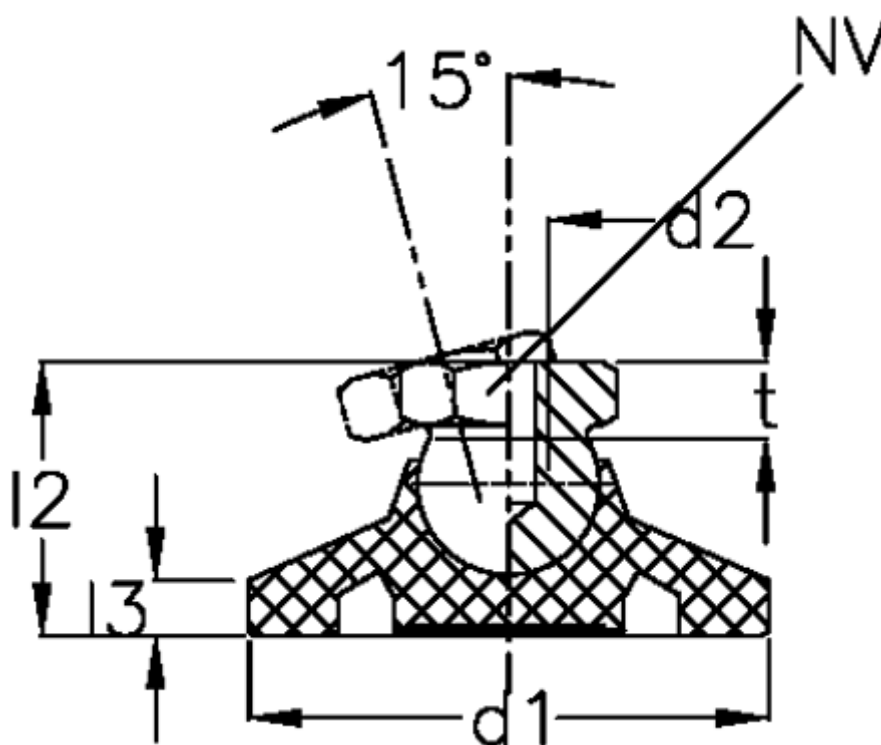
Data Sheet



Article number: 20957503

Description: E+G Levelling foot
GN 343.3-60-M16-A

Measures



d_1	= 60
d_2	= M16
l_2	= 35.5
l_3	= 8.5
NV	= 24.0
Static load (N)	= 14000
t min	= 16.0